

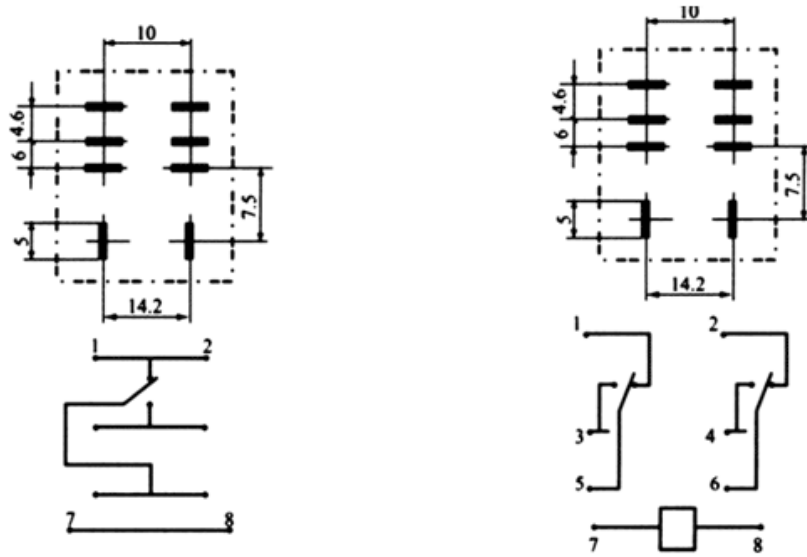
## LY1-S, LY2-S, LY3-S, LY4-S



### PRODUCT SPECIFICATIONS

CLASSIFICATION		MINIAURE POWER RELAY SERIES			
MODEL		LY1,-S,-N,-F,-O	LY2,-S,-N,-F,-O	LY3,-S,-N,-F,-O	LY4,-S,-N,-F,-O
DIMENSIONS(mm)		27.5ЎБ21.5ЎБ35	27.5ЎБ21.5ЎБ35	27.5ЎБ21.5ЎБ35	27.5ЎБ31ЎБ35
CONTACT FORM		1Z	2Z	3Z	4Z
CONTACT CAPACITY		10A 250V AC			
COIL VOLTAGE	DC	6Ў «220V			
	AC	6Ў «380V			
COIL POWER		ACЎБ2.5VA DCЎБ1.5W			
PICK-UP		80% max			
DROP-OUT		AC 30% mix DC 10% mix			
CONTACT RESISTANCE		ЎБ50m!è			
INSULATION TESISTANCE		ЎЭ100m!è			
LIFE	ELECTRICAL	10 <sup>5</sup> times			
	MECHANICAL	10 <sup>7</sup> times			
DIELECTRIC STRENGTH	BETWEEN OPEN CONTACTS	1000v rms			
	BETWIN COIL&CONTACT	1500v rms			
MOUNTING FORM		P.C.B & Socket			
OPERATING TEMPERATURE		-40ЎжЎ «+55Ўж			
WEIGHT		About 35g	About 35g	About 53g	About 70g
LIKE PRODUCTS		HH61P	HH62P	HH63P	HH64P
FITTED SOCKET		<u>PTF08A</u> <u>PTF08A-E</u> <u>PT-08</u>	<u>PTF08A</u> <u>PTF08A-E</u> <u>PT-08</u>	<u>PT-11</u> <u>PTF11A</u>	<u>PTF14A</u> <u>PTF14A-E</u> <u>PT-14</u>
REMARKS		with lamp:-N,FLANGE:-F with bottom:-S,PCB:-O			

➤ MOUNTING HOLES & BOTTOM VIEW LY1,-S,-N,-F,-O LY2,-S,-N,-F,-O



➤ MOUNTING HOLES & BOTTOM VIEW LY3,-S,-N,-F,-O LY4,-S,-N,-F,-O

