

FLOATLESS RELAY: NT90TP-T92



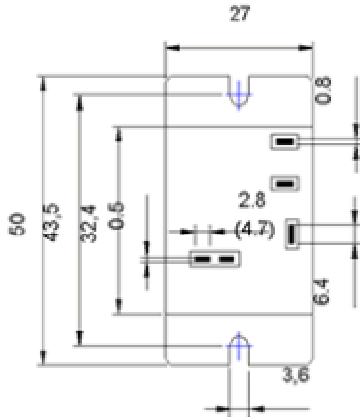
Features:

Small size, light weight. Low coil power consumption, heavy contact load. Strong anti-shock and anti-vibration, high reliability, long life. Suitable for automobile, machine, electronic equipment, air conditioner and household appliance applications.

Detail Parameter:

Outline Dimensions (mm)	32.4(50) ЎБ 27 ЎБ 28.5 32.4(50) ЎБ 27 ЎБ 20.5
Contact Arrangement (China)	1H 1D 1Z
(International)	1A 1B 1C
Contact Rating	NO: 30A/240Vac 14Vdc; 40A/250Vac 30Vdc NC: 20A/240Vac 14Vdc; 30A/250Vac 30Vdc NO: 40ANC,30A only for 0.9W
Contact Resistance or Voltage drop	<=30 mΩ
Max. Switching Power	1100W 7200Va
Max. Switching Voltage	110Vdc 250Vac
Max. Switching Current	40A
Mechanical Operation life	1 ЎБ 10 ⁷
Electrical Operation life	1 ЎБ 10 ⁵
Coil resistance	0.6W 0.9W 2VA
Coil Rated Voltage	DC: 3,5,6,9,12,15,18,24,48,110V; AC: 12,24,110,120,220V
Pickup voltage VDC(max)	DC:80% AC:80% rated voltage
Release voltage VDC(min)	DC:10% AC:30% rated voltage
Reverted Voltage	
Operate Time	<=15ms
Release Time	<=10ms
Coil Maximan Voltage VDC	DC: 130% rated voltage AC:110% rated voltage
Insulation Resistance	1000 MΩ (at 500V)
Dielectric Strength	
(Between contacts)	50Hz, 1500V
(Between contact and coil)	50Hz, 2500V
Shock Resistance	20G 11ms
Vibration resistance	10 ~ 55Hz double amplitude 1.5mm
Ambient Temperature	-55~100ЎrC; -55~125ЎrC
Relative Humidity	85% (at 40ЎrC)
Mass	37g
Cross Reference	SIEMENS : T92 OMRON : G7G

Mounting Payout (Bottom View):



Wiring Diagram:

