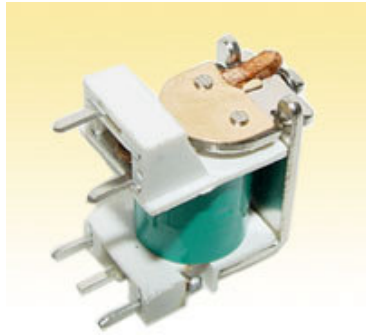


# SONGLE RELAY

|   |               |            |
|---|---------------|------------|
|  | RELAY ISO9002 | <b>SLG</b> |
|---|---------------|------------|



## 1. MAIN FEATURES

- Design for Automotive and car alarm application.
- Contact rating up to 30A/14VDC.
- Open type, flux free and sealed type available.
- 1 form A to 1 form C arrangements.
- Standard type and high sensitivity type.

## 2. APPLICATIONS

## 3. ORDERING INFORMATION

| SLG            | XX VDC               | S                | L                | C                        |
|----------------|----------------------|------------------|------------------|--------------------------|
| Model of relay | Nominal coil voltage | Structure        | Coil sensitivity | Contact form             |
| SLG            | 05,08,09,12,18,24VDC | S:Sealed type    | L:1.6W           | A:1 form A               |
|                |                      | F:Flux free type | D:Special        | B:1 form B<br>C:1 form C |

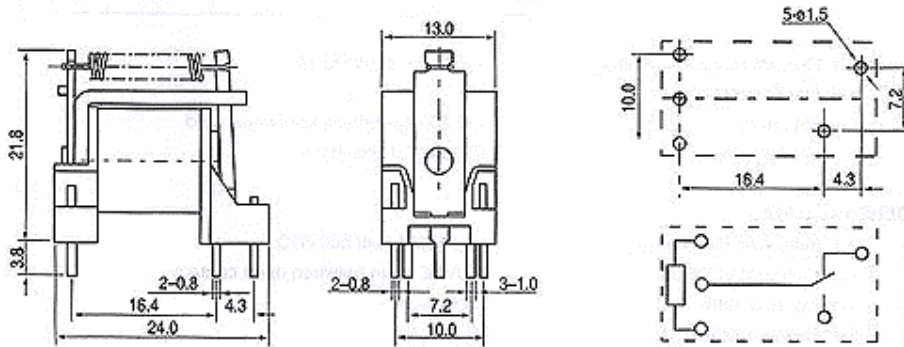
## 4. RATING

30A/14VDC 15A/28VDC

## 5. DIMENSION (unit:mm)

## DRILLING (unit:mm)

## WIRING DIAGRAM



## 6. COIL DATA CHART (AT20°C)

| Coil Sensitivity | Coil Voltage Code | Nominal Voltage (VDC) | Nominal Current (mA) | Coil Resistance ( $\Omega$ ) $\pm 10\%$ | Power Consumption (W) | Pull-In Voltage (VDC) | Drop-Out Voltage (VDC) | Max-Allowable Voltage (VDC) |
|------------------|-------------------|-----------------------|----------------------|---|-----------------------|-----------------------|------------------------|-----------------------------|
| SLG<br>0.90W     | 05                | 5                     | 180                  | 28                                      | abt. 0.90             | 70%Max.               | 10%Min.                | 130%                        |
|                  | 06                | 6                     | 150                  | 40                                      |                       |                       |                        |                             |
|                  | 09                | 9                     | 100                  | 90                                      |                       |                       |                        |                             |
|                  | 12                | 12                    | 75                   | 160                                     |                       |                       |                        |                             |
|                  | 24                | 24                    | 38                   | 640                                     |                       |                       |                        |                             |

## 7. CONTACT RATING

| Item                    | Type | SLG                               |           |           |           |
|-------------------------|------|-----------------------------------|-----------|-----------|-----------|
|                         |      | Form A                            | Form B    | Form C    |           |
|                         |      |                                   |           | N/O       | N/C       |
| Max. Continuous Current |      | 30A/14VDC                         | 30A/14VDC | 30A/14VDC | 20A/14VDC |
| Max. Switch Voltage     |      | 45VDC ; 60VAC                     |           |           |           |
| Contact Rating          |      | 30A /14VDC or 20A/28VDC Resistive |           |           |           |
| Contact Material        |      | AgSnO2                            |           |           |           |

## 9. REFERENCE DATA

## 8. PERFORMANCE (at initial value)

| Item                          | Type | SLG   |
|-------------------------------|------|---|
| Contact Resistance            |      | 100m $\Omega$ Max.                                |
| Operation Time                |      | 10msec Max.                                       |
| Release Time                  |      | 5msec Max.  |
| Dielectric Strength           |      | 500Vrms.  |
| Insulation Resistance         |      | 100 M $\Omega$ Min. (500VDC)                      |
| Operating Ambient Temperature |      | -40°C to +125°C                                   |
| Operating Humidity            |      | 98% RH at 20°C                                    |
| Vibration Resistance          |      | 20 to 200Hz Double Amplitude 1.5mm                |
| Shock                         |      | 150m/sec <sup>2</sup> , 11ms                      |
| Life Expectancy               |      |   |
| Mechanically                  |      | 10 <sup>7</sup> ops. Min. (no load)               |
| Electrically                  |      | 10 <sup>5</sup> ops. Min. (at rated coil voltage) |
| Weight                        |      | abt. 18grs. (NO COVER)                            |