

# SONGLE RELAY

	RELAY ISO9002	<b>SLM</b>
---	---------------	------------



## 1. MAIN FEATURES

- Ultra-miniature size with universal footprint.
- High contact capacity.

## 2. APPLICATIONS

- Communications, domestic appliances
- Security equipment
- Office automation machines, etc.

## 3. ORDERING INFORMATION

SLM	XX VDC	S	L	C
Model of relay	Nominal coil voltage	Structure	Coil sensitivity	Contact form
SLM	06,12,24,48VDC	S:Sealed type	L: 1.6W	A:1 form A
		F:Flux free type		D:Special
				C:1 form C

## 4. RATING

25A/14VDC    15A/28VDC    15A/125VAC

## 5. DIMENSION (unit:mm)

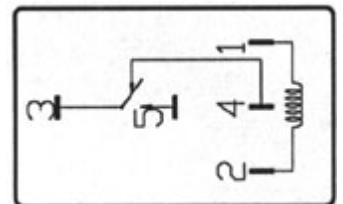
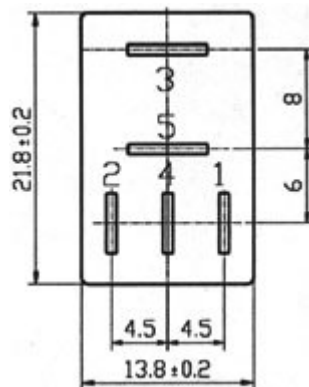
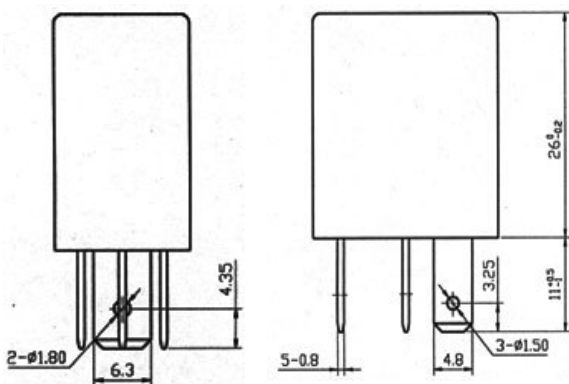
## DRILLING (unit:mm)

## WIRING DIAGRAM

Form C

(BOTTOM VIEW)

(BOTTOM VIEW)



## 6. COIL DATA CHART (AT20°C)

Coil Sensitivity	Coil Voltage Code	Nominal Voltage (VDC)	Nominal Current (mA)	Coil Resistance ( $\Omega$ ) $\pm 10\%$	Power Consumption (W)	Pull-In Voltage (VDC)	Drop-Out Voltage (VDC)	Max-Allowable Voltage (VDC)
SLM 1.60W	06	6	260	23	abt. 1.60	70%Max.	10% Min.	130%
	12	12	133	90				
	24	24	67	360				
	48	48	33	1440				

## 7. CONTACT RATING

Item	Type	SLM			
	Form A	Form B	Form C		
			N/O	N/C	
Max. Continuous Current	25A/14VDC	20A/14VDC	25A/14VDC	15A/14VDC	
Max. Switch Voltage	45VDC ; 60VAC				
Contact Rating	25A /14VDC or 15A/28VDC Resistive				
Contact Material	AgSnO2				

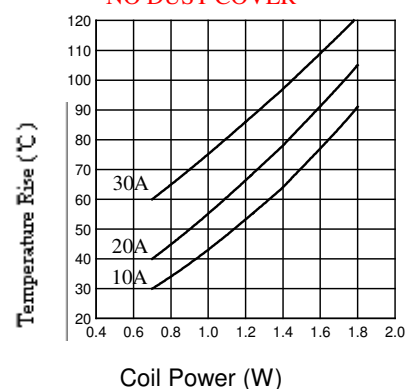
## 8. PERFORMANCE (at initial value)

Item	Type	SLM
Contact Resistance		100m $\Omega$ Max.
Operation Time		10msec Max.
Release Time		10msec Max.
Dielectric Strength		1000Vrms.
Insulation Resistance		100 M $\Omega$ Min. (500VDC)
Operating Ambient Temperature		-40°C to +125°C See Ambient Temperature carry
Operating Humidity		98% RH at 20°C
Vibration Resistance		20 to 200Hz Double Amplitude 1.5mm
Shock		150m/sec <sup>2</sup> , 11ms
Life Expectancy		
Mechanically		10 <sup>7</sup> ops. Min. (no load)
Electrically		10 <sup>5</sup> ops. Min. (at rated coil voltage)
Weight		abt. 22grs.

## 9. REFERENCE DATA

OPEN-STYLE RELAY,

NO DUST COVER



SEALED RELAY

