

SONGLE RELAY



RELAY ISO9002

SMK-1P



1. MAIN FEATURES

- Slim type and small occupying space can offer high density P.C.B. technique.
- Low coil power consumption type and general coil power consumption are prepared to comply with user's wide selections.
- Employment of suitable plastic materials to be applied to high temperature and various chemical solutions.
- Complete protective construction from dust and soldering flux. If required,

2. APPLICATIONS

- Cooking appliances, air conditioners, audio equipment, domestic appliances, etc.

3. ORDERING INFORMATION

SMK-1P	XX VDC	S	L	A
Model of relay	Nominal coil voltage	Structure	Coil sensitivity	Contact form
SMK-1P	05、06、09、12、24、48VDC	S:Sealed type F:Flux free type	H: 0.25W L: 0.54W	A:1 form A

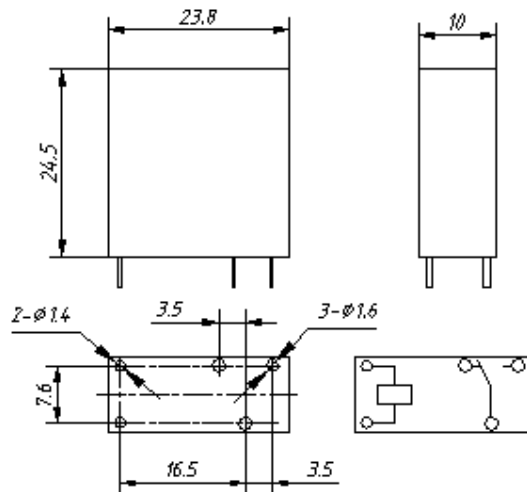
4. RATING

10A/250VAC 30VDC

5. DIMENSION (unit:mm)

DRILLING (unit:mm)

WIRING DIAGRAM



6. COIL DATA CHART (AT20°C)

Coil Sensitivity	Coil Voltage Code	Nominal Voltage (VDC)	Nominal Current (mA)	Coil Resistance (Ω) $\pm 10\%$	Power Consumption (W)	Pull-In Voltage (VDC)	Drop-Out Voltage (VDC)	Max-Allowable Voltage (VDC)
SMK-1P0.25W	03	03	83	36	abt. 0.25W	80%Max.	5% Min.	130% Max.
	05	05	50	100				
	06	06	42	144				
	09	09	28	324				
	12	12	20	576				
	24	24	11	2304				
	48	48	6	9216				
SMK-1P0.54W	03	03	176	17	abt. 0.54W	80% Max.	5% Min.	130% Max.
	05	05	106	47				
	06	06	88	68				
	09	09	58	155				
	12	12	44	270				
	24	24	22	1100				
	48	48	11	4400				

7. CONTACT RATING

Item	Arrangement	SMK-1P	
		Resistive Load ($\cos \Phi = 1$)	Inductive Load ($\cos \Phi = 0.4$)
Rated load		10A 250VAC	4A 250VAC
		10A 30VDC	4A 30VDC
Carrying current		10A	
Max. switching voltage		250VAC, 110VDC	
Min. permissible load		5VDC 10mA	
Contact material		AgCdO	

9. USEFUL CURVES

8. PERFORMANCE (at initial value)

Item	Type	SMK-1P
Contact Resistance		100m Ω Max.
Operation Time		15msec Max.
Release Time		8msec Max.
Dielectric Strength		
Between coil & contact		4000VAC 50/60HZ (1 minute)
Between contacts		1000VAC 50/60HZ (1 minute)
Surge Resistiveness		1000V (between coil & contact 1 \times 40 msec)
Insulation Resistance		100 M Ω Min. (500VDC)
Max. ON/OFF Switching		
Mechanically		300 operation/min
Electrically		30 operation/min
Operating Ambient Temperature		-25°C to +70°C
Operating Humidity		45 to 80% RH
Coil Temperature Rise		45 deg. Max. (at rated coil voltage)
Vibration		
Endurance		10 to 55Hz Double Amplitude 1.5mm
Error Operation		10 to 55Hz Double Amplitude 1.5mm
Shock		
Endurance		100G Min.
Error Operation		10G Min.
Life Expectancy		
Mechanically		10 ⁷ operations. Min.
Electrically		10 ⁵ operations. Min.
Weight		abt. 11grs.